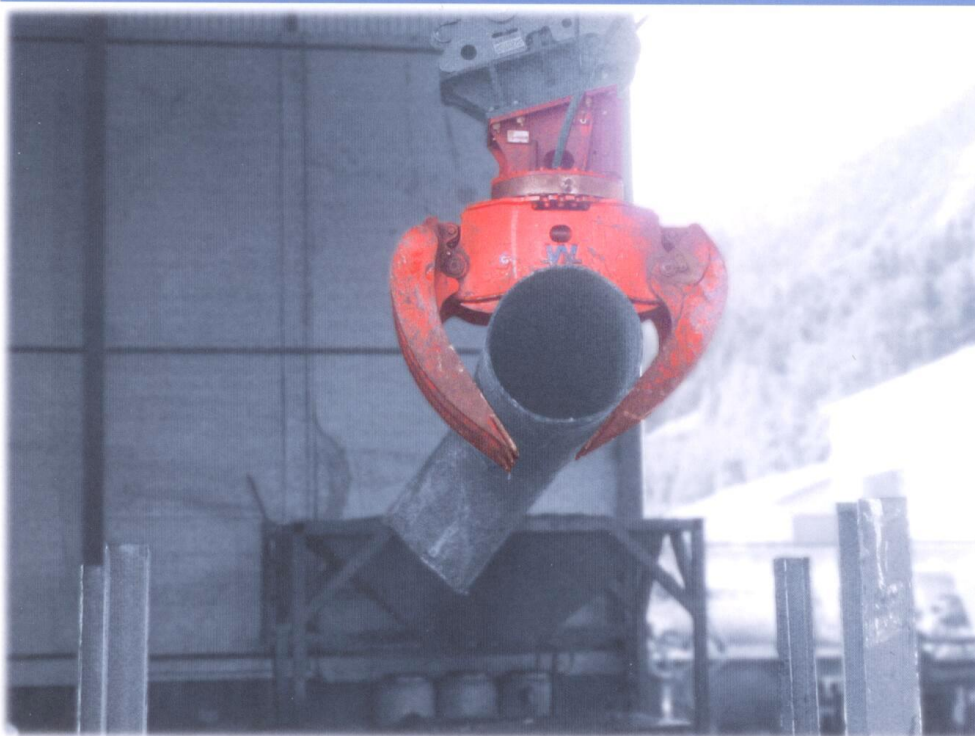


## Grapple Octopus



Special grapple for pipes and bores

Integrated holding device: Load is held for at least 30 minutes when engine is off <sup>1)</sup>

Made from WHD 450 special wear resisting steel

Endless hydraulic rotation

Fix grip for cylindric objects with diameter bigger than 110 mm

Can be modified into sorting- or stone-grapple by exchange of the shells

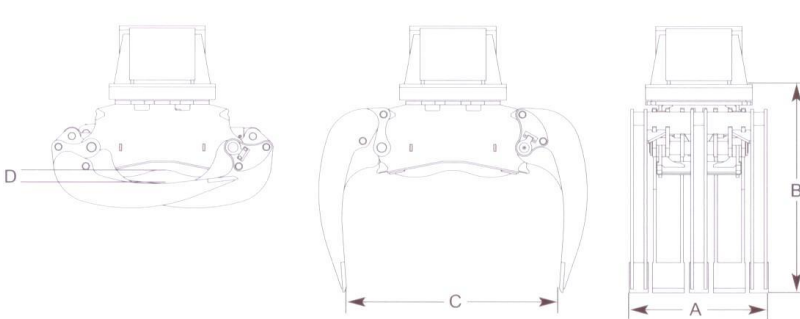
1) not valid for model 0.5




Quality without Compromise.


## Technical details

models:	OCT 0.5	OCT 1.0	OCT 2.0	OCT 2.5	OCT 3.0	OCT 4.0	OCT 6.0
measurements, mm							
shell width (A)	590	640	740	850	920	920	1360
height without adapter (B)	900	1020	1100	1200	1390	1390	1730
Max. opening (C)	650	800	1000	1200	1400	1400	1600
inner height closed (D)	100	100	100	100	100	100	100
weight, kg	245	408	760	1.010	1.470	1.550	2.765
closing force, to	2,5	3	4	5	6	6	10
<b>hydraulic data:</b>							
open/close, max. bar	250	320	320	350	350	350	350
open/close, l/min	15 - 35	20 - 40	30 - 60	40 - 80	70 - 120	70 - 120	120 - 200
rotate, max. bar	250	320	320	200	200	200	200
rotate, l/min	15 - 20	15 - 20	15 - 25	20 - 25	20 - 25	20 - 25	20 - 25
excavator weight, to	4 - 8	6 - 10	10 - 14	14 - 22	20 - 27	24 - 32	32 - 46





OCT 0.5 bis 2.0  
with direct motor



OCT 2.5 bis 6.0  
with rot. assembly

All rights and errors reserved.

Version 0307

WIMMER Hartstahl GmbH.&Co.KG. und WIMMER Felstechnik GmbH.  
 Industriestraße 3, A-5303 Thalgau, AUSTRIA, Tel.: ++43 (0)6235 6655 0, Fax.: ++43 (0)6235 6655 18  
 WIMMER Canada Inc., 9999, Boul. Parkway, Anjou, (QC) CANADA H1J 1P7, Tel.: ++ 514 355 64 24  
 Wimmer Budejovice, Ruidolfovská 170 a, 37 001 České Budejovice, Tel.: ++420 387 203 735, Fax ++420 387 203 735

[www.wimmer.info](http://www.wimmer.info) [office@wimmer.info](mailto:office@wimmer.info)

Auth. WIMMER Dealer:



Quality without Compromise.